

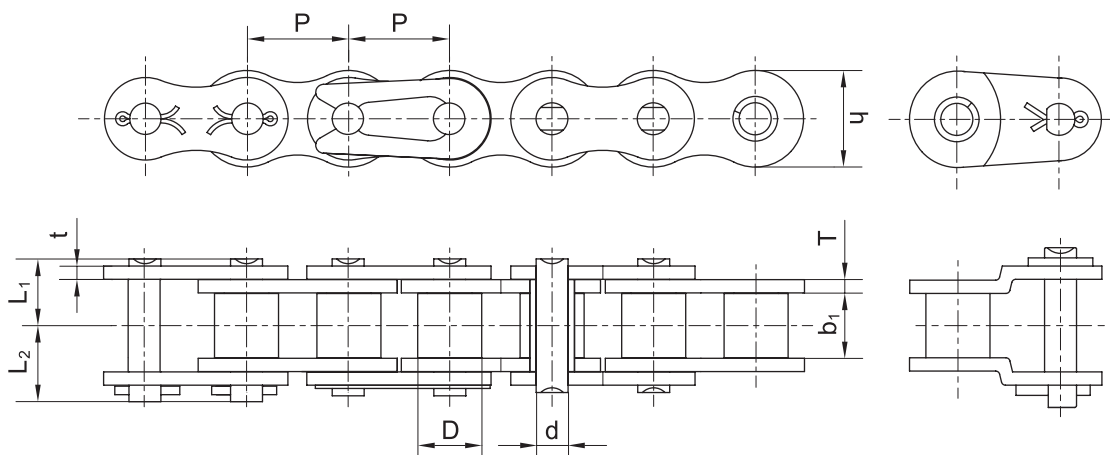
BW ROLLER CHAIN

SIZES AND DIMENSIONS



ANSI Standard - Short Pitch Roller Chain

Single Strand / Drive Chain



DIN/ISO Chain No.	ANSI Chain No.	Pitch	Width Between Inner Plate	Roller Diameter	Pin Diameter	Pin Length		Inner Plate Depth	Plate Thickness	Ultimate Tensile Strength	Average Tensile Strength	Weight per meter
		P	b _{1 min}	D _{max}	d	L ₁	L ₂	h	t/T	Q _{min}	Q ₀	q
		mm	mm	mm	mm	mm		mm	mm	kN	kN	kg/m
*04C-1	*25-1	6.35	3.1	3.3	2.31	3.9	4.8	5.9	0.75	3.5	4.6	0.14
*06C-1	*35-1	9.525	4.68	5.08	3.58	6	7.2	9	1.27	7.9	10.6	0.35
08A-1	40-1	12.7	7.85	7.92	3.96	8.3	9.6	12	1.52	13.8	18	0.66
10A-1	50-1	15.875	9.4	10.16	5.08	10.25	11.85	15	2	21.8	31	1.05
12A-1	60-1	19.05	12.57	11.91	5.94	12.65	14.35	18	2.4	31.1	42	1.56
16A-1	80-1	25.4	15.75	15.88	7.92	16.2	17.9	23.5	3.2	55.6	70.2	2.67
20A-1	100-1	31.75	18.9	19.05	9.52	19.8	23.3	30	4	86.7	115	4.04
24A-1	120-1	38.1	25.22	22.23	11.1	25	28.3	35.8	4.9	124.6	170	5.94
28A-1	140-1	44.45	25.22	25.4	12.7	26.9	30.9	41.5	5.6	169	213	7.5
32A-1	160-1	50.8	31.55	28.58	14.27	32.05	35.75	48	6.4	222.4	290	10.2
36A-1	180-1	57.15	35.48	35.71	17.46	36.35	40.75	54	7.2	280.2	340	13.95
40A-1	200-1	63.5	37.85	39.68	19.84	39.55	43.85	59.6	8	347	480	16.86
48A-1	240-1	76.2	47.35	47.63	23.8	47.6	52.4	71.5	9.6	500.4	620	24.25

* Chains: Bushing chains with no roller;

Connecting Type: The series less than 16A (including 16A) is preferred for spring clip type;

The series larger than 20A (including 20A) is preferred for cottered type.

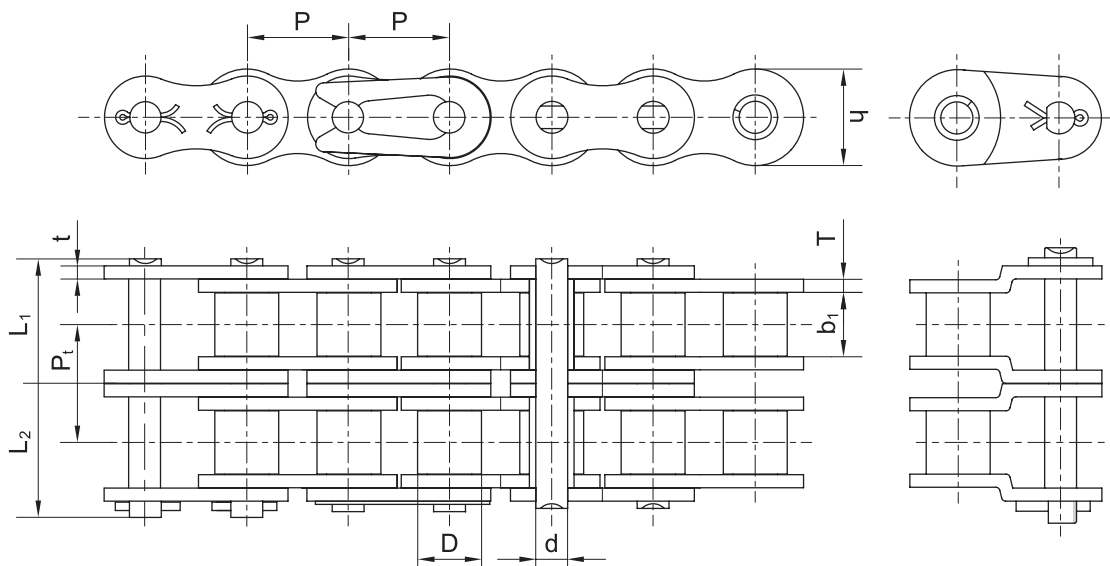
BW ROLLER CHAIN

SIZES AND DIMENSIONS



ANSI Standard - Short Pitch Roller Chain

Double Strand / Drive Chain



DIN/ISO Chain No.	ANSI Chain No.	Pitch	Width Between Inner Plate	Roller Diameter	Pin Diameter	Pin Length		Inner Plate Depth	Plate Thickness	Transverse Pitch	Ultimate Tensile Strength	Average Tensile Strength	Weight per meter
		P	b _{1 min}	D _{max}	d	L ₁	L ₂	h	t/T	P _t	Q _{min}	Q ₀	q
		mm	mm	mm	mm	mm		mm	mm		kN	kN	kg/m
*04C-2	*25-2	6.35	3.1	3.3	2.31	7.1	7.9	5.9	0.75	6.4	7	8.6	0.28
*06C-2	*35-2	9.525	4.68	5.08	3.58	11.1	12.3	9	1.27	10.13	15.8	20	0.69
08A-2	40-2	12.7	7.85	7.92	3.96	15.5	16.7	12	1.52	14.38	27.6	34.5	1.3
10A-2	50-2	15.875	9.4	10.16	5.08	19.3	20.7	15	2	18.11	43.6	59.5	2.08
12A-2	60-2	19.05	12.57	11.91	5.94	24.05	25.95	18	2.4	22.78	62.3	80.6	3.09
16A-2	80-2	25.4	15.75	15.88	7.92	30.75	33.15	23.5	3.2	29.29	111.2	134.8	5.29
20A-2	100-2	31.75	18.9	19.05	9.52	37.7	41.1	30	4	35.76	173.5	224.3	8.01
24A-2	120-2	38.1	25.22	22.23	11.1	47.75	51.05	35.8	4.9	45.44	249.1	326.4	11.84
28A-2	140-2	44.45	25.22	25.4	12.7	51.35	55.35	41.5	5.6	48.87	338.1	409	14.89
32A-2	160-2	50.8	31.55	28.58	14.27	61.35	65.05	48	6.4	58.55	444.8	556.8	20.26
36A-2	180-2	57.15	35.48	35.71	17.46	69.25	73.65	54	7.2	65.84	560.5	652.8	27.62
40A-2	200-2	63.5	37.85	39.68	19.84	75.35	79.65	59.6	8	71.55	693.9	921.6	33.64
48A-2	240-2	76.2	47.35	47.63	23.8	91.5	96.3	71.5	9.6	87.83	1000.8	1190.4	48.31

* Chains: Bushing chains with no roller;

Connecting Type: The series less than 16A (including 16A) is preferred for spring clip type;

The series larger than 20A (including 20A) is preferred for cottered type.

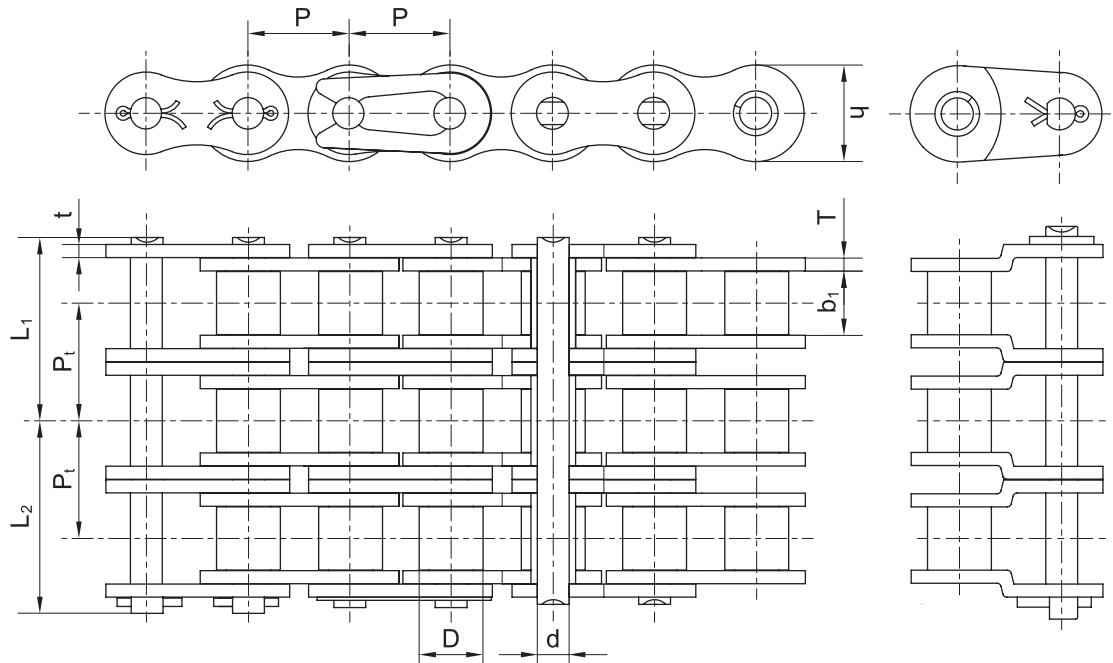
BW ROLLER CHAIN

SIZES AND DIMENSIONS



ANSI Standard - Short Pitch Roller Chain

Triple Strand / Drive Chain



DIN/ISO Chain No.	ANSI Chain No.	Pitch	Width Between Inner Plate	Roller Diameter	Pin Diameter	Pin Length		Inner Plate Depth	Plate Thickness	Transverse Pitch	Ultimate Tensile Strength	Average Tensile Strength	Weight per meter
		P	b _{1 min}	D _{max}	d	L ₁	L ₂	h	t/T	P _t	Q _{min}	Q ₀	q
		mm	mm	mm	mm	mm		mm	mm		kN	kN	kg/m
*04C-3	*25-3	6.35	3.1	3.3	2.31	10.3	11.2	5.9	0.75	6.4	10.5	12.6	0.42
*06C-3	*35-3	9.525	4.68	5.08	3.58	16.25	17.45	9	1.27	10.13	23.7	30.2	1.03
08A-3	40-3	12.7	7.85	7.92	3.96	22.75	23.95	12	1.52	14.38	41.4	51.3	1.94
10A-3	50-3	15.875	9.4	10.16	5.08	28.25	29.55	15	2	18.11	65.4	88.4	3.11
12A-3	60-3	19.05	12.57	11.91	5.94	35.45	37.35	18	2.4	22.78	93.4	119.7	4.62
16A-3	80-3	25.4	15.75	15.88	7.92	45.46	47.44	23.5	3.2	29.29	166.8	200.1	7.9
20A-3	100-3	31.75	18.9	19.05	9.52	55.6	59.3	30	4	35.76	260.2	327.8	12.01
24A-3	120-3	38.1	25.22	22.23	11.1	70.45	74.05	35.8	4.9	45.44	373.7	484.5	17.68
28A-3	140-3	44.45	25.22	25.4	12.7	75.8	80.1	41.5	5.6	48.87	507.1	607.1	22.26
32A-3	160-3	50.8	31.55	28.58	14.27	90.6	94.4	48	6.4	58.55	667.2	826.5	30.33
36A-3	180-3	57.15	35.48	35.71	17.46	102.15	106.55	54	7.2	65.84	840.6	969	41.3
40A-3	200-3	63.5	37.85	39.68	19.84	111.1	115.4	59.6	8	71.55	1040.9	1368	50.35
48A-3	240-3	76.2	47.35	47.63	23.8	135.4	140.2	71.5	9.6	87.83	1501.3	1767	72.26

* Chains: Bushing chains with no roller;

Connecting Type: The series less than 16A (including 16A) is preferred for spring clip type;

The series larger than 20A (including 20A) is preferred for cottered type.